



SG 250KU

Efficient

- CEC weighted efficiency at 96.7%
- Precise output power metering

Adaptable

- Auxiliary heater (Optional)
- Compact design, easy installation and transportation

Qualified

- UL1547, IEEE1547, C22.2 107.1-01

Input (DC)

Max. DC power (@ $\cos \phi = 1$)	284kW
Max. Input voltage	600V
Start voltage	300V
MPPT voltage range	320~600V
Number of DC inputs	6

Output (AC)

Rated power	250kW
Max. Output AC power	275kVA
Max. Output current	300A
Max. THD	<3%(at nominal power)
Rated grid voltage	480Vac
Grid voltage range	422~528Vac
Rated grid frequency	60Hz
Grid frequency range	59.3~60.5Hz
Power factor at rated power	>0.99
Isolation Transformer	Yes
DC current injection	<0.5% of rated inverter output current
Adjustable displacement factor	0.9 (lagging) ~0.9 (leading)

Efficiency

Max. Efficiency	97.3%
European Efficiency	96.7%
CEC Efficiency	96.5%

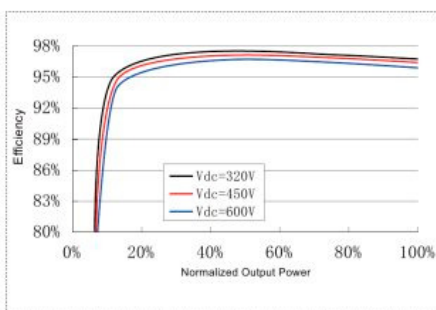
Protection

Input side disconnection device	Yes
Output side disconnection device	Yes
DC overvoltage protection	Yes
AC overvoltage protection	Yes
Grid monitoring	Yes
Ground fault monitoring	Yes

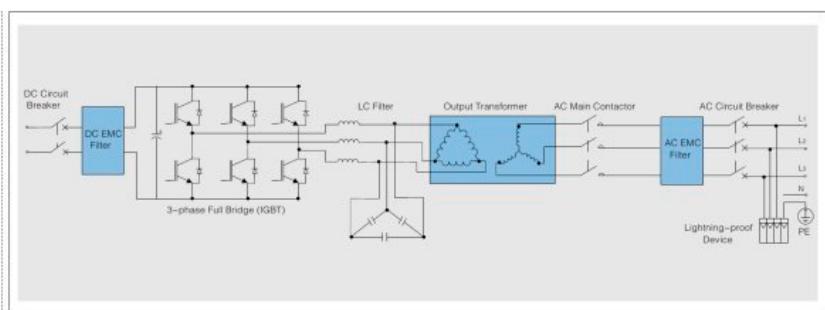
General Data

Dimensions (W/H/D)	1800x2180x850mm	71x86x34 inch
Weight	1700kg	3748 lbs
Operating temperature range	-25~+55°C	-13~+131°F
Noise emission (typical)	<65dB	
Self-consumption at night	<100W	
External auxiliary supply voltage	No	
Cooling concept	controlled forced-air cooling	
Degree of protection	IP20	TYPE 1
Max. permissible value for relative humidity (non-condensing)	0~95%, non-condensing	
Max. altitude	6000m (derating > 2000m)	
Fresh air consumption	5610m³/h	
Display	Touch screen LCD	
Communication protocols	Modbus	
Comm. Interface	RS485 Ethernet (optional)	

Efficiency Curve



Circuit Diagram:



SUNGROW

www.sungrowpower.com